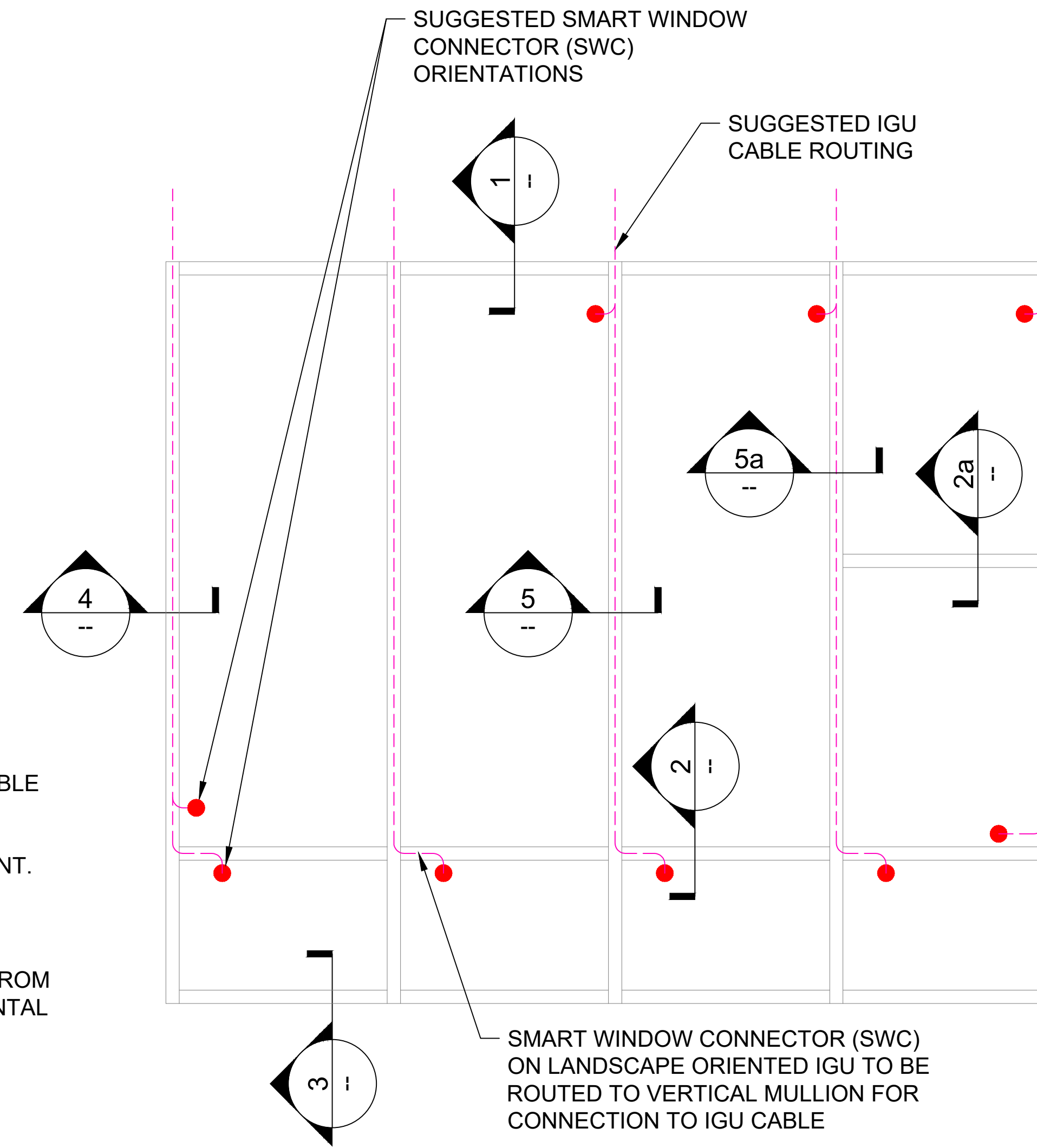


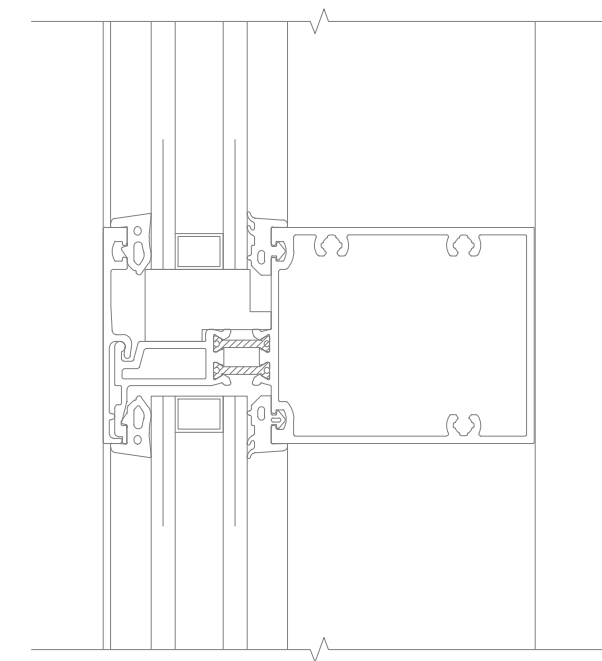
DETAIL 1
HEAD

- NOTES:
1. INSTALLER TO PROVIDE GROMMETS AT ALL FRAME PENETRATIONS WHERE POSSIBLE TO AVOID CABLE DAMAGE.
 2. INSTALLER TO LABEL IGU CABLES WITH IGU NAME TO WHICH IT IS CONNECTED.
 3. WHEN GLAZING POCKET CANNOT ACCOMMODATE IGU/SWC, INCORPORATE SERVICE LOOP INTO IGU CABLING. MAKE CONNECTION TO SWC AS YOU ARE GLAZING AND PUSH CONNECTOR THROUGH HOLE AND INTO MULLION.
 4. NO WIRE ROUTING IN SILL.



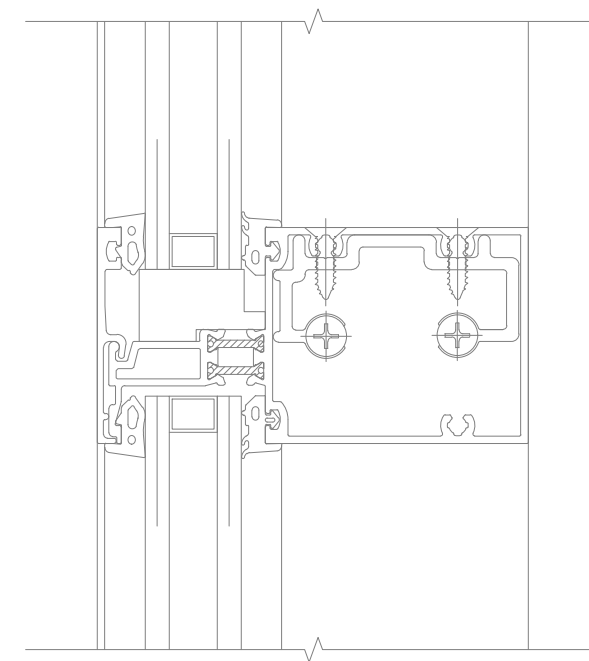
TYPICAL ELEVATION
SCALE: NONE

NO CABLE ROUTING IN HORIZONTAL MULLION

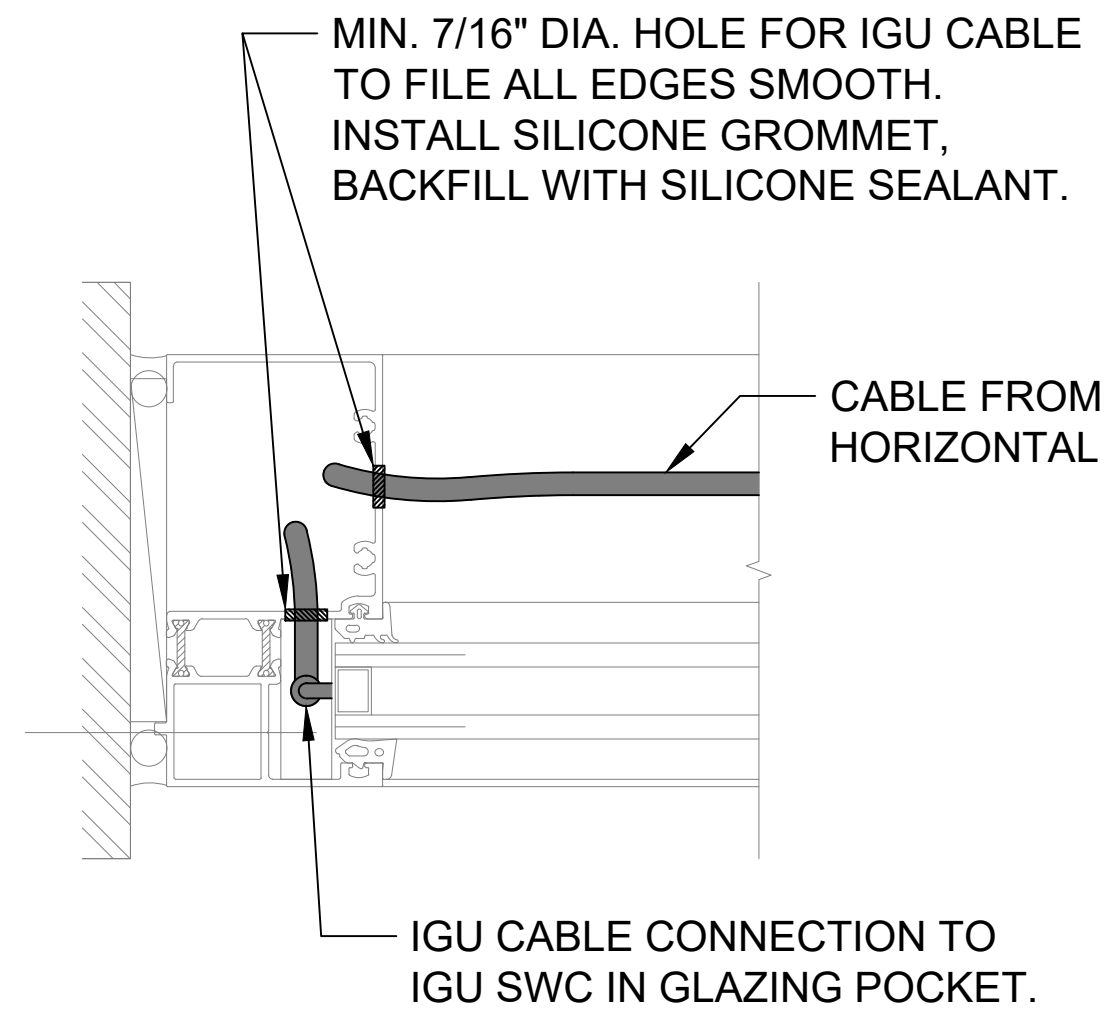


DETAIL 2
HORIZONTAL MULLION

NO CABLE ROUTING IN HORIZONTAL MULLION

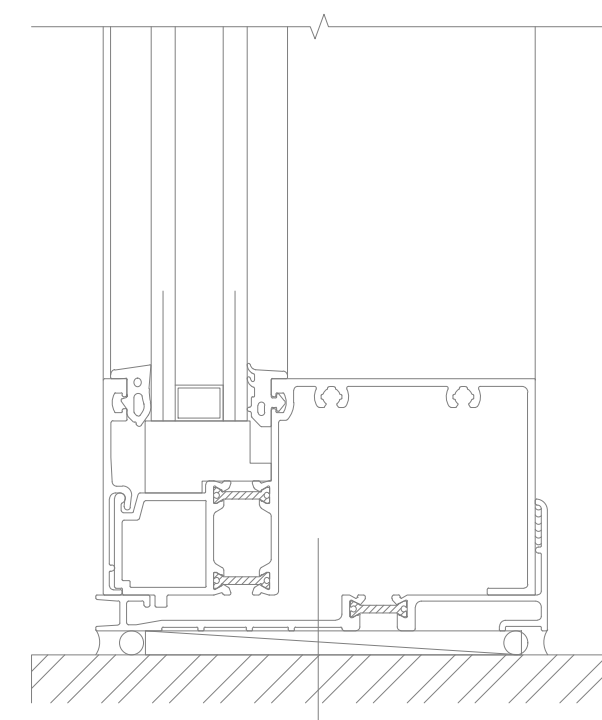


DETAIL 2A
HORIZONTAL MULLION

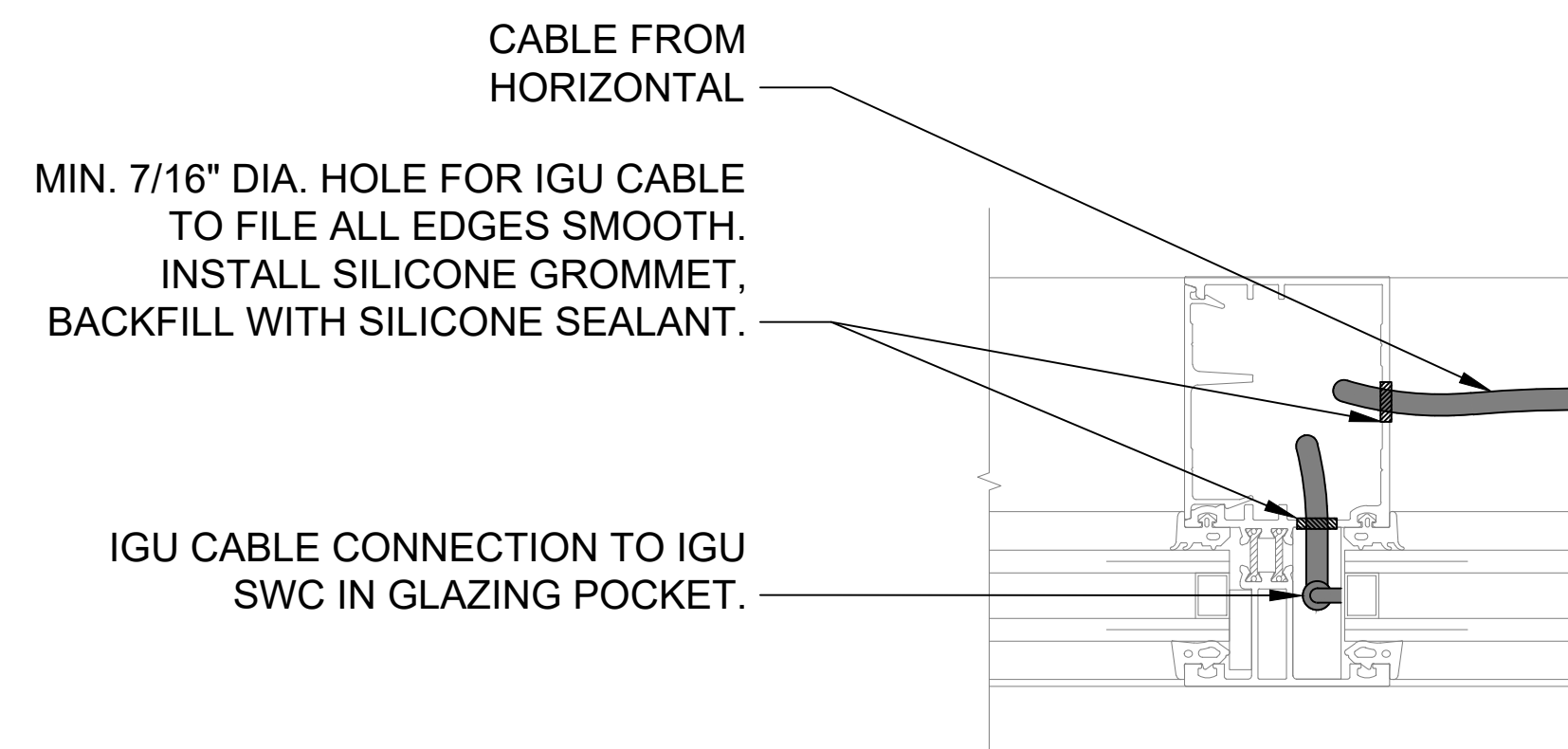


DETAIL 4
LEFT JAMB

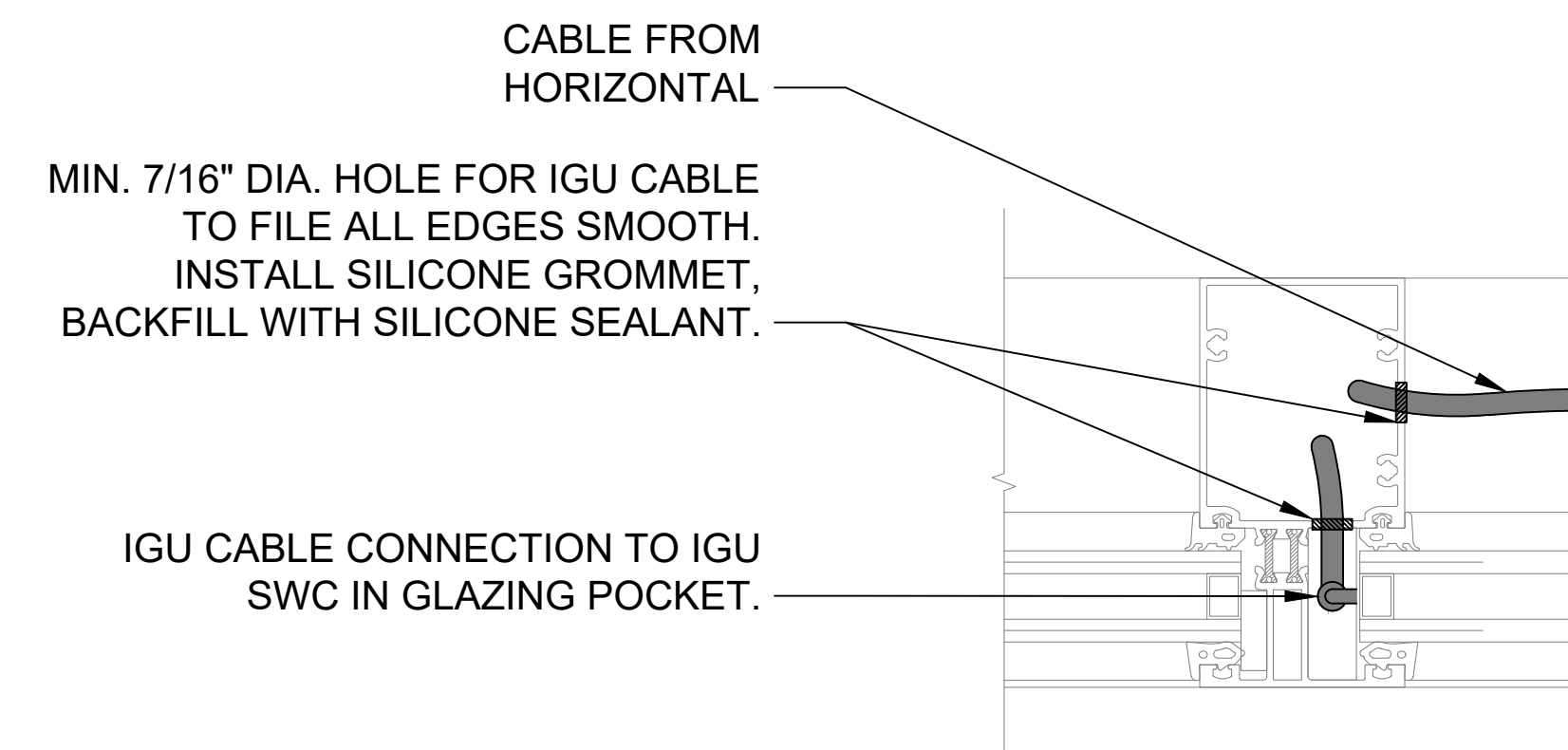
NO CABLE ROUTING IN SILL



DETAIL 3
SILL



DETAIL 5
VERTICAL MULLION



DETAIL 5A
VERTICAL MULLION

1 INSTALLATION DETAILS: FOR YWW 45 T OG - WW